

RPR Series - RPR052 Single Acting / Double Acting

Description Rack Pneumatic Quarter Return Actuator

Torque @ 80 psi Single Acting end **15.2Nm**
Double Acting **22.8Nm**



Rotation 90Deg +/- 5 Deg **Supply :** 3 - 8 BAR

Weight 1.74Kg

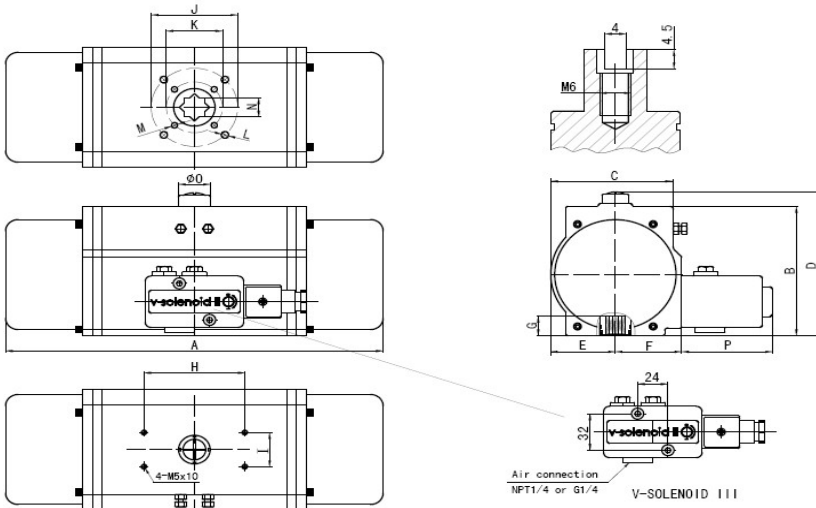
Mounting PAD M5x10 @ 36/50mm PCD

Shaft 11 mm female ISO star

Part Number

Material Spec :

- | | |
|-------------------------|----------------------|
| Cylinder | Aluminium Alloy |
| Pinion | Alloy Steel |
| Bearing(Lower Pinion) | POM |
| O-Ring(Lower Pinion) | NBR |
| O-Ring(Top Pinion) | NBR |
| Bearing(Top Pinion) | POM |
| Spacer | Alloy Steel |
| Thrust Bearing Pinion | POM |
| Thrust Bearing Pinion | POM |
| Thrust Washer(Pinion) | Stainless Steel |
| Spring Clip | Stainless Steel |
| Piston | Alloy Steel |
| Guide Ring(Piston) | POM |
| O-Ring(Piston) | NBR |
| Bearing Ring(Piston) | POM |
| Adjusting Screw | Stainless Steel |
| Adjusting Nut | Stainless Steel |
| Washer(Adjusting Screw) | Stainless Steel |
| O-Ring(Adjusting Screw) | NBR |
| Plug | NBR |
| Spring | Spring Steel |
| End Cap | Composite Plastic |
| O-Ring(End Cap) | NBR |
| Bolts(End Cap) | Stainless Steel |
| Indicator | Engineering Plastics |
| Nut(Indicator) | Engineering Plastics |



Model	A	B	C	D	E	F	G	H	I	J	K	L	M	N	Φ0	P
RPR052	272	74	60	94	30	41	14	80	30	F05 Φ50	F03 Φ36	M6x11	M5x10	11	40	72

Unit: Nm

ORDERING SYSTEM

Model	052		052	S	VS3	000
Action	S	Single Acting				
	D	Double Acting				
Solenoid		VS3 (Single)			See torque chart for proper selection	
		VS2 (Double)				
Opt	000	Open / closed indicator cap (STD)			See Accessories Page for complete codes	

Special Notes :

- * Puretorq reserves the wright to change the above information without notice
- * The Customer is responsible for correct sizing and spring selection

RPR Series - **RPR063** Single Acting / Double Acting

Description Rack Pneumatic Quarter Return Actuator

Torque @ 80 psi Single Acting end **26.8Nm**
Double Acting **40.2Nm**



Rotation 90Deg +/- 5 Deg **Supply :** 3 - 8 BAR

Weight 2.62Kg

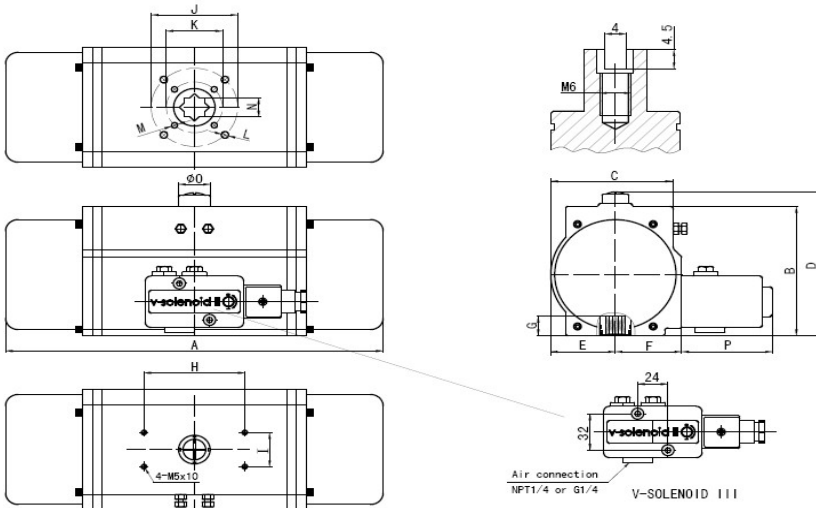
Mounting PAD M6x12 @ 50/70mm PCD

Shaft 14 mm female ISO star

Part Number

Material Spec :

- | | |
|-------------------------|----------------------|
| Cylinder | Aluminium Alloy |
| Pinion | Alloy Steel |
| Bearing(Lower Pinion) | POM |
| O-Ring(Lower Pinion) | NBR |
| O-Ring(Top Pinion) | NBR |
| Bearing(Top Pinion) | POM |
| Spacer | Alloy Steel |
| Thrust Bearing Pinion | POM |
| Thrust Bearing Pinion | POM |
| Thrust Washer(Pinion) | Stainless Steel |
| Spring Clip | Stainless Steel |
| Piston | Alloy Steel |
| Guide Ring(Piston) | POM |
| O-Ring(Piston) | NBR |
| Bearing Ring(Piston) | POM |
| Adjusting Screw | Stainless Steel |
| Adjusting Nut | Stainless Steel |
| Washer(Adjusting Screw) | Stainless Steel |
| O-Ring(Adjusting Screw) | NBR |
| Plug | NBR |
| Spring | Spring Steel |
| End Cap | Composite Plastic |
| O-Ring(End Cap) | NBR |
| Bolts(End Cap) | Stainless Steel |
| Indicator | Engineering Plastics |
| Nut(Indicator) | Engineering Plastics |



Model	A	B	C	D	E	F	G	H	I	J	K	L	M	N	Φ0	P
RPR063	291	88	69	108	36	45	18	80	30	F07 Φ70	F05 Φ50	M8x15	M6x12	14	40	72

Unit: Nm

ORDERING SYSTEM

Model 063 **063 S VS3 000**

Action S Single Acting
D Double Acting

Solenoid VS3 (Single) See torque chart for proper selection
VS2 (Double)

Opt 000 Open / closed indicator cap (STD) See Accessories Page for complete codes

Special Notes :
* Puretorq reserves the wright to change the above information without notice
* The Customer is responsible for correct sizing and spring selection

RPR Series - **RPR075** Single Acting / Double Acting

Description Rack Pneumatic Quarter Return Actuator

Torque @ 80 psi Single Acting end **43.0Nm**
Double Acting **64.6Nm**



Rotation 90Deg +/- 5 Deg **Supply :** 3 - 8 BAR

Weight 3.62Kg

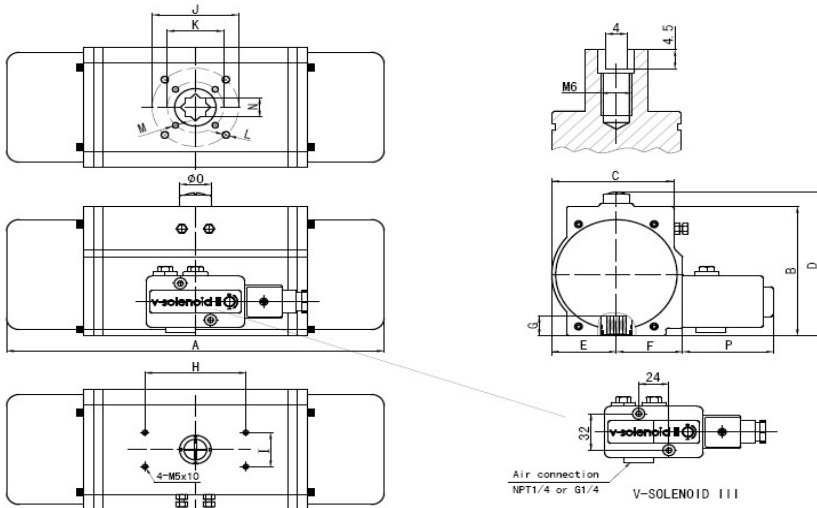
Mounting PAD M6x11 @ 50/70mm PCD

Shaft 14 mm female ISO star

Part Number

Material Spec :

- | | |
|-------------------------|----------------------|
| Cylinder | Aluminium Alloy |
| Pinion | Alloy Steel |
| Bearing(Lower Pinion) | POM |
| O-Ring(Lower Pinion) | NBR |
| O-Ring(Top Pinion) | NBR |
| Bearing(Top Pinion) | POM |
| Spacer | Alloy Steel |
| Thrust Bearing Pinion | POM |
| Thrust Bearing Pinion | POM |
| Thrust Washer(Pinion) | Stainless Steel |
| Spring Clip | Stainless Steel |
| Piston | Alloy Steel |
| Guide Ring(Piston) | POM |
| O-Ring(Piston) | NBR |
| Bearing Ring(Piston) | POM |
| Adjusting Screw | Stainless Steel |
| Adjusting Nut | Stainless Steel |
| Washer(Adjusting Screw) | Stainless Steel |
| O-Ring(Adjusting Screw) | NBR |
| Plug | NBR |
| Spring | Spring Steel |
| End Cap | Composite Plastic |
| O-Ring(End Cap) | NBR |
| Bolts(End Cap) | Stainless Steel |
| Indicator | Engineering Plastics |
| Nut(Indicator) | Engineering Plastics |



Model	A	B	C	D	E	F	G	H	I	J	K	L	M	N	Φ0	P
RPR075	329	100	79	120	42	52	20	80	30	F07 Φ70	F05 Φ50	M8x13	M6x11	14	40	72

Unit: Nm

ORDERING SYSTEM

Model	075		075	S	VS3	000
Action	S	Single Acting				
	D	Double Acting				
Solenoid		VS3 (Single)			See torque chart for proper selection	
		VS2 (Double)				
Opt	000	Open / closed indicator cap (STD)			See Accessories Page for complete codes	

Special Notes :

- * Puretorq reserves the wright to change the above information without notice
- * The Customer is responsible for correct sizing and spring selection

RPR Series - **RPR083** Single Acting / Double Acting

Description Rack Pneumatic Quarter Return Actuator

Torque @ 80 psi
 Single Acting end **54.4Nm**
 Double Acting **81.6Nm**



Rotation 90Deg +/- 5 Deg **Supply :** 3 - 8 BAR

Weight 3.99Kg

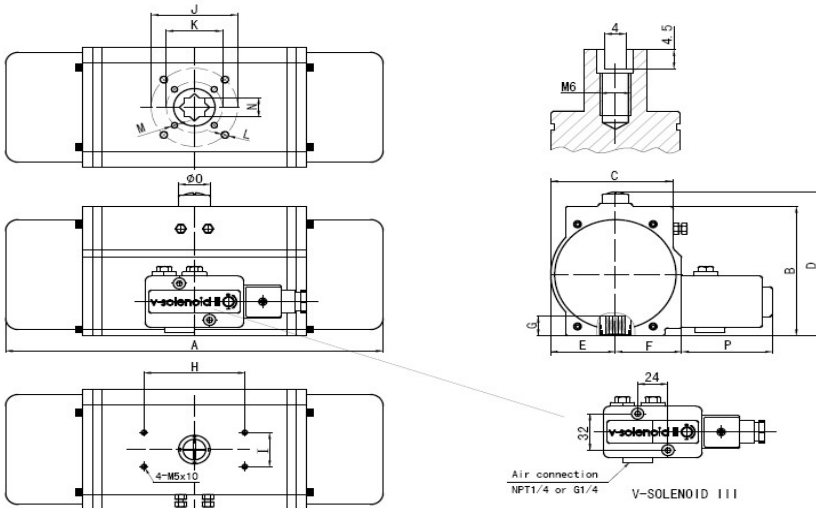
Mounting PAD M6x12 @ 50/70mm PCD

Shaft 17 mm female ISO star

Part Number

Material Spec :

- | | |
|-------------------------|----------------------|
| Cylinder | Aluminium Alloy |
| Pinion | Alloy Steel |
| Bearing(Lower Pinion) | POM |
| O-Ring(Lower Pinion) | NBR |
| O-Ring(Top Pinion) | NBR |
| Bearing(Top Pinion) | POM |
| Spacer | Alloy Steel |
| Thrust Bearing Pinion | POM |
| Thrust Bearing Pinion | POM |
| Thrust Washer(Pinion) | Stainless Steel |
| Spring Clip | Stainless Steel |
| Piston | Alloy Steel |
| Guide Ring(Piston) | POM |
| O-Ring(Piston) | NBR |
| Bearing Ring(Piston) | POM |
| Adjusting Screw | Stainless Steel |
| Adjusting Nut | Stainless Steel |
| Washer(Adjusting Screw) | Stainless Steel |
| O-Ring(Adjusting Screw) | NBR |
| Plug | NBR |
| Spring | Spring Steel |
| End Cap | Composite Plastic |
| O-Ring(End Cap) | NBR |
| Bolts(End Cap) | Stainless Steel |
| Indicator | Engineering Plastics |
| Nut(Indicator) | Engineering Plastics |



Model	A	B	C	D	E	F	G	H	I	J	K	L	M	N	Φ0	P
RPR083	330	109	88	129	46	52.5	21	80	30	F07 Φ70	F05 Φ50	M8x15	M6x12	17	40	72

Unit: Nm

ORDERING SYSTEM

Model	083		083	S	VS3	000
Action	S	Single Acting				
	D	Double Acting				
Solenoid		VS3 (Single)			See torque chart for proper selection	
		VS2 (Double)				
Opt	000	Open / closed indicator cap (STD)			See Accessories Page for complete codes	

Special Notes :

- * Puretorq reserves the wright to change the above information without notice
- * The Customer is responsible for correct sizing and spring selection

RPR Series - **RPR092** Single Acting / Double Acting

Description Rack Pneumatic Quarter Return Actuator

Torque @ 80 psi Single Acting end **83.3Nm**
Double Acting **125.0Nm**



Rotation 90Deg +/- 5 Deg **Supply :** 3 - 8 BAR

Weight 5.82Kg

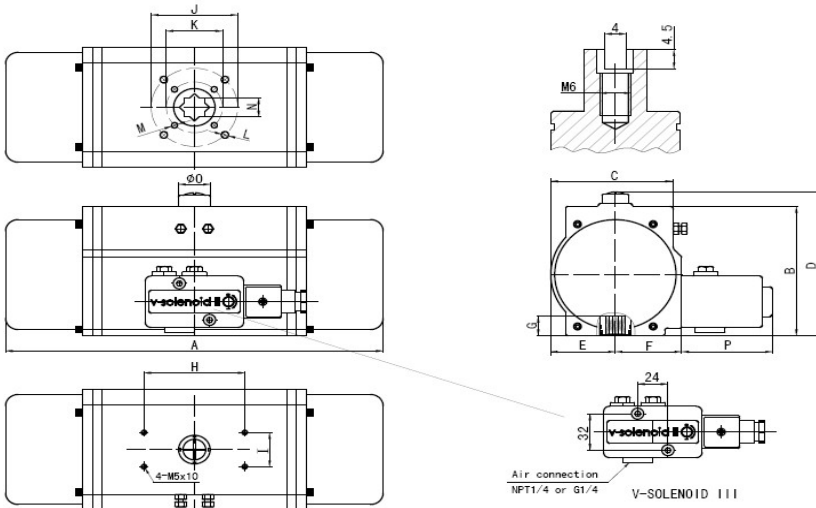
Mounting PAD M6x12 @ 50/70mm PCD

Shaft 17 mm female ISO star

Part Number

Material Spec :

- | | |
|-------------------------|----------------------|
| Cylinder | Aluminium Alloy |
| Pinion | Alloy Steel |
| Bearing(Lower Pinion) | POM |
| O-Ring(Lower Pinion) | NBR |
| O-Ring(Top Pinion) | NBR |
| Bearing(Top Pinion) | POM |
| Spacer | Alloy Steel |
| Thrust Bearing Pinion | POM |
| Thrust Bearing Pinion | POM |
| Thrust Washer(Pinion) | Stainless Steel |
| Spring Clip | Stainless Steel |
| Piston | Alloy Steel |
| Guide Ring(Piston) | POM |
| O-Ring(Piston) | NBR |
| Bearing Ring(Piston) | POM |
| Adjusting Screw | Stainless Steel |
| Adjusting Nut | Stainless Steel |
| Washer(Adjusting Screw) | Stainless Steel |
| O-Ring(Adjusting Screw) | NBR |
| Plug | NBR |
| Spring | Spring Steel |
| End Cap | Composite Plastic |
| O-Ring(End Cap) | NBR |
| Bolts(End Cap) | Stainless Steel |
| Indicator | Engineering Plastics |
| Nut(Indicator) | Engineering Plastics |



Model	A	B	C	D	E	F	G	H	I	J	K	L	M	N	Φ0	P
RPR092	394	120	97.5	140	51	57.5	22	80	30	F07 Φ70	F05 Φ50	M8x13	M6x12	17	40	72

Unit: Nm

ORDERING SYSTEM

Model	092		092	S	VS3	000
Action	S	Single Acting				
	D	Double Acting				
Solenoid		VS3 (Single)			See torque chart for proper selection	
		VS2 (Double)				
Opt	000	Open / closed indicator cap (STD)			See Accessories Page for complete codes	

Special Notes : * Puretorq reserves the wright to change the above information without notice
* The Customer is responsible for correct sizing and spring selection

RPR Series - RPR105 Single Acting / Double Acting

Description Rack Pneumatic Quarter Return Actuator

Torque @ 80 psi
 Single Acting end **124.4Nm**
 Double Acting **186.6Nm**



Rotation 90Deg +/- 5 Deg **Supply :** 3 - 8 BAR

Weight 7.45Kg

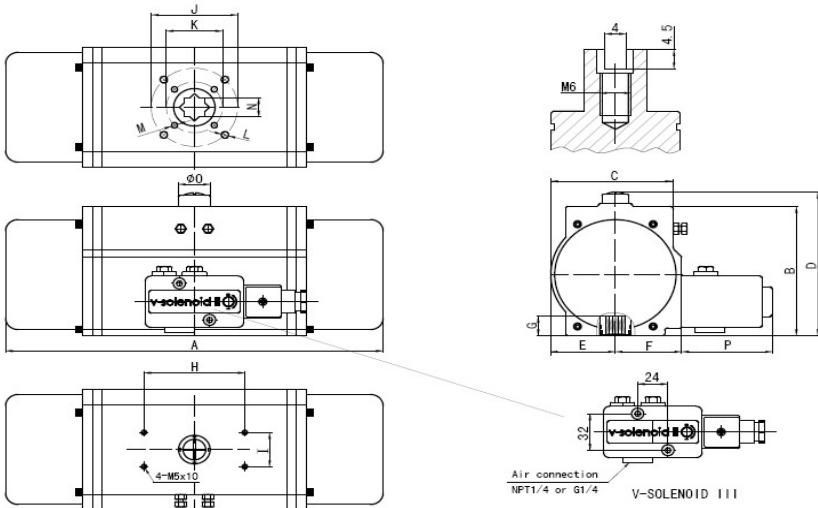
Mounting PAD M8x14 @ 70/102mm PCD

Shaft 22 mm female ISO star

Part Number

Material Spec :

Cylinder	Aluminium Alloy
Pinion	Alloy Steel
Bearing(Lower Pinion)	POM
O-Ring(Lower Pinion)	NBR
O-Ring(Top Pinion)	NBR
Bearing(Top Pinion)	POM
Spacer	Alloy Steel
Thrust Bearing Pinion	POM
Thrust Bearing Pinion	POM
Thrust Washer(Pinion)	Stainless Steel
Spring Clip	Stainless Steel
Piston	Alloy Steel
Guide Ring(Piston)	POM
O-Ring(Piston)	NBR
Bearing Ring(Piston)	POM
Adjusting Screw	Stainless Steel
Adjusting Nut	Stainless Steel
Washer(Adjusting Screw)	Stainless Steel
O-Ring(Adjusting Screw)	NBR
Plug	NBR
Spring	Spring Steel
End Cap	Composite Plastic
O-Ring(End Cap)	NBR
Bolts(End Cap)	Stainless Steel
Indicator	Engineering Plastics
Nut(Indicator)	Engineering Plastics



Model	A	B	C	D	E	F	G	H	I	J	K	L	M	N	Φ0	P
RPR105	443	133	105.5	153	57.5	64	24	80	30	F10 Φ102	F07 Φ70	M10x18	M8x14	22	40	72

Unit: Nm

ORDERING SYSTEM

Model	105															
Action	S	Single Acting														
	D	Double Acting														
Solenoid		VS3 (Single)														
		VS2 (Double)														
Opt	000	Open / closed indicator cap (STD)														

See torque chart for proper selection

See Accessories Page for complete codes

Special Notes :
 * Puretorq reserves the wright to change the above information without notice
 * The Customer is responsible for correct sizing and spring selection

RPR Series - RPR125 Single Acting / Double Acting

Description Rack Pneumatic Quarter Return Actuator

Torque @ 80 psi
 Single Acting end **213.7Nm**
 Double Acting **320.6Nm**



Rotation 90Deg +/- 5 Deg **Supply :** 3 - 8 BAR

Weight 11.51Kg

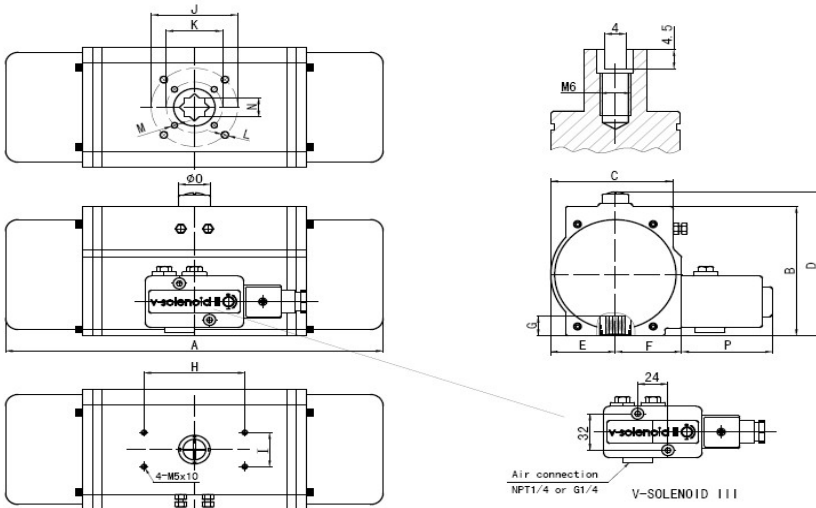
Mounting PAD M8x14 @ 70/102mm PCD

Shaft 22 mm female ISO star

Part Number

Material Spec :

- | | |
|-------------------------|----------------------|
| Cylinder | Aluminium Alloy |
| Pinion | Alloy Steel |
| Bearing(Lower Pinion) | POM |
| O-Ring(Lower Pinion) | NBR |
| O-Ring(Top Pinion) | NBR |
| Bearing(Top Pinion) | POM |
| Spacer | Alloy Steel |
| Thrust Bearing Pinion | POM |
| Thrust Bearing Pinion | POM |
| Thrust Washer(Pinion) | Stainless Steel |
| Spring Clip | Stainless Steel |
| Piston | Alloy Steel |
| Guide Ring(Piston) | POM |
| O-Ring(Piston) | NBR |
| Bearing Ring(Piston) | POM |
| Adjusting Screw | Stainless Steel |
| Adjusting Nut | Stainless Steel |
| Washer(Adjusting Screw) | Stainless Steel |
| O-Ring(Adjusting Screw) | NBR |
| Plug | NBR |
| Spring | Spring Steel |
| End Cap | Composite Plastic |
| O-Ring(End Cap) | NBR |
| Bolts(End Cap) | Stainless Steel |
| Indicator | Engineering Plastics |
| Nut(Indicator) | Engineering Plastics |



Model	A	B	C	D	E	F	G	H	I	J	K	L	M	N	Φ0	P
RPR125	541	155	120.5	175	67.5	70	27.5	80	30	F10 Φ102	F07 Φ70	M10x18	M8x14	22	65	72

Unit: Nm

ORDERING SYSTEM

Model	125		125	S	VS3	000
Action	S	Single Acting				
	D	Double Acting				
Solenoid		VS3 (Single)			See torque chart for proper selection	
		VS2 (Double)				
Opt	000	Open / closed indicator cap (STD)			See Accessories Page for complete codes	

Special Notes :
 * Puretorq reserves the wright to change the above information without notice
 * The Customer is responsible for correct sizing and spring selection

RPR Series - RPR140 Single Acting / Double Acting

Description Rack Pneumatic Quarter Return Actuator

Torque @ 80 psi Single Acting end **321.6Nm**
Double Acting **482.5Nm**



Rotation 90Deg +/- 5 Deg **Supply :** 3 - 8 BAR

Weight 16.42Kg

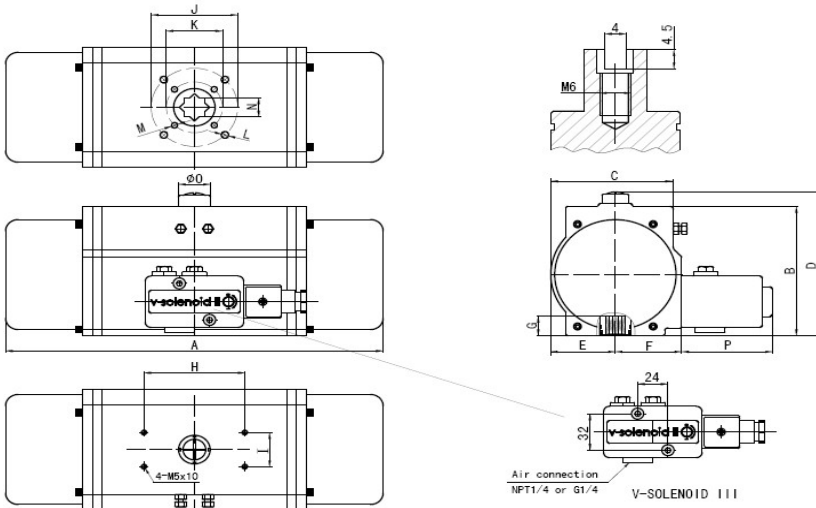
Mounting PAD M10x18 @ 102/125mm PCD

Shaft 27 mm female ISO star

Part Number

Material Spec :

- | | |
|-------------------------|----------------------|
| Cylinder | Aluminium Alloy |
| Pinion | Alloy Steel |
| Bearing(Lower Pinion) | POM |
| O-Ring(Lower Pinion) | NBR |
| O-Ring(Top Pinion) | NBR |
| Bearing(Top Pinion) | POM |
| Spacer | Alloy Steel |
| Thrust Bearing Pinion | POM |
| Thrust Bearing Pinion | POM |
| Thrust Washer(Pinion) | Stainless Steel |
| Spring Clip | Stainless Steel |
| Piston | Alloy Steel |
| Guide Ring(Piston) | POM |
| O-Ring(Piston) | NBR |
| Bearing Ring(Piston) | POM |
| Adjusting Screw | Stainless Steel |
| Adjusting Nut | Stainless Steel |
| Washer(Adjusting Screw) | Stainless Steel |
| O-Ring(Adjusting Screw) | NBR |
| Plug | NBR |
| Spring | Spring Steel |
| End Cap | Composite Plastic |
| O-Ring(End Cap) | NBR |
| Bolts(End Cap) | Stainless Steel |
| Indicator | Engineering Plastics |
| Nut(Indicator) | Engineering Plastics |



Model	A	B	C	D	E	F	G	H	I	J	K	L	M	N	Φ0	P
RPR140	630	171.5	137	191.5	76	77	32	80	30	F12 Φ125	F10 Φ102	M12x22	M10x18	27	65	72

Unit: Nm

ORDERING SYSTEM

Model	140	140	S	VS3	000
Action	S	Single Acting			
	D	Double Acting			
Solenoid		VS3 (Single)	See torque chart for proper selection		
		VS2 (Double)			
Opt	000	Open / closed indicator cap (STD)	See Accessories Page for complete codes		

Special Notes :

- * Puretorq reserves the wright to change the above information without notice
- * The Customer is responsible for correct sizing and spring selection

RPR Series - RPR190 Single Acting / Double Acting

Description Rack Pneumatic Quarter Return Actuator

Torque @ 80 psi Single Acting end **754.0Nm**
Double Acting **1184.0Nm**



Rotation 90Deg +/- 5 Deg **Supply :** 3 - 8 BAR

Weight 37.48Kg

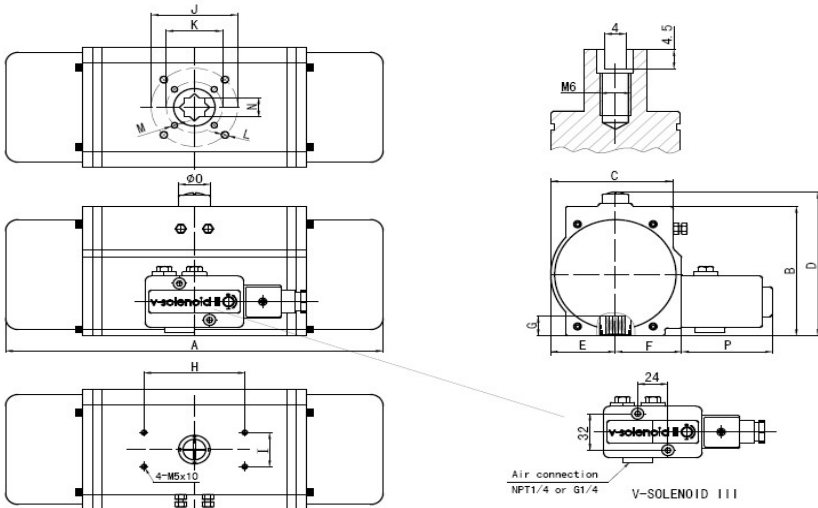
Mounting PAD NA @ NA/140mm PCD

Shaft 36 mm female ISO star

Part Number

Material Spec :

- | | |
|-------------------------|----------------------|
| Cylinder | Aluminium Alloy |
| Pinion | Alloy Steel |
| Bearing(Lower Pinion) | POM |
| O-Ring(Lower Pinion) | NBR |
| O-Ring(Top Pinion) | NBR |
| Bearing(Top Pinion) | POM |
| Spacer | Alloy Steel |
| Thrust Bearing Pinion | POM |
| Thrust Bearing Pinion | POM |
| Thrust Washer(Pinion) | Stainless Steel |
| Spring Clip | Stainless Steel |
| Piston | Alloy Steel |
| Guide Ring(Piston) | POM |
| O-Ring(Piston) | NBR |
| Bearing Ring(Piston) | POM |
| Adjusting Screw | Stainless Steel |
| Adjusting Nut | Stainless Steel |
| Washer(Adjusting Screw) | Stainless Steel |
| O-Ring(Adjusting Screw) | NBR |
| Plug | NBR |
| Spring | Spring Steel |
| End Cap | Composite Plastic |
| O-Ring(End Cap) | NBR |
| Bolts(End Cap) | Stainless Steel |
| Indicator | Engineering Plastics |
| Nut(Indicator) | Engineering Plastics |



Model	A	B	C	D	E	F	G	H	I	J	K	L	M	N	Φ0	P
RPR190	735	230	186	260	103	103	40	130	30	F14 Φ140	NA	M16x23	NA	36	78	72

Unit: Nm

ORDERING SYSTEM

Model	190		190	S	VS3	000
Action	S	Single Acting				
	D	Double Acting				
Solenoid		VS3 (Single)			See torque chart for proper selection	
		VS2 (Double)				
Opt	000	Open / closed indicator cap (STD)			See Accessories Page for complete codes	

Special Notes :

- * Puretorq reserves the wright to change the above information without notice
- * The Customer is responsible for correct sizing and spring selection

RPR Series - **RPR210** Single Acting / Double Acting

Description Rack Pneumatic Quarter Return Actuator

Torque @ 80 psi
 Single Acting end **1084.0Nm**
 Double Acting **1628.0Nm**



Rotation 90Deg +/- 5 Deg **Supply :** 3 - 8 BAR

Weight **48.30Kg**

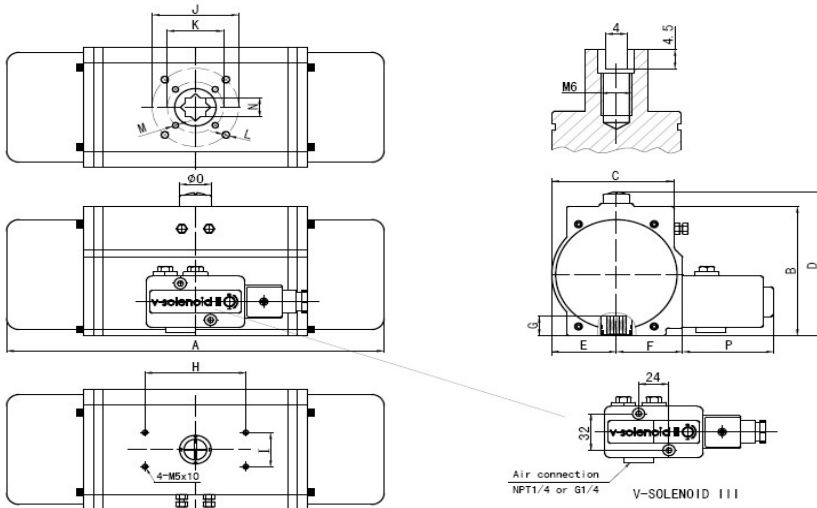
Mounting PAD NA @ NA/140mm PCD

Shaft 36 mm female ISO star

Part Number

Material Spec :

Cylinder	Aluminium Alloy
Pinion	Alloy Steel
Bearing(Lower Pinion)	POM
O-Ring(Lower Pinion)	NBR
O-Ring(Top Pinion)	NBR
Bearing(Top Pinion)	POM
Spacer	Alloy Steel
Thrust Bearing Pinion	POM
Thrust Bearing Pinion	POM
Thrust Washer(Pinion)	Stainless Steel
Spring Clip	Stainless Steel
Piston	Alloy Steel
Guide Ring(Piston)	POM
O-Ring(Piston)	NBR
Bearing Ring(Piston)	POM
Adjusting Screw	Stainless Steel
Adjusting Nut	Stainless Steel
Washer(Adjusting Screw)	Stainless Steel
O-Ring(Adjusting Screw)	NBR
Plug	NBR
Spring	Spring Steel
End Cap	Composite Plastic
O-Ring(End Cap)	NBR
Bolts(End Cap)	Stainless Steel
Indicator	Engineering Plastics
Nut(Indicator)	Engineering Plastics



Model	A	B	C	D	E	F	G	H	I	J	K	L	M	N	Φ0	P
RPR210	850	255	202	285	113	113	40	130	30	F14 Φ140	NA	M16x25	NA	36	78	72

Unit: Nm

ORDERING SYSTEM

Model	210		210	S	VS3	000
Action	S	Single Acting				
	D	Double Acting				
Solenoid		VS3 (Single)			See torque chart for proper selection	
		VS2 (Double)				
Opt	000	Open / closed indicator cap (STD)			See Accessories Page for complete codes	

Special Notes :
 * Puretorq reserves the wright to change the above information without notice
 * The Customer is responsible for correct sizing and spring selection