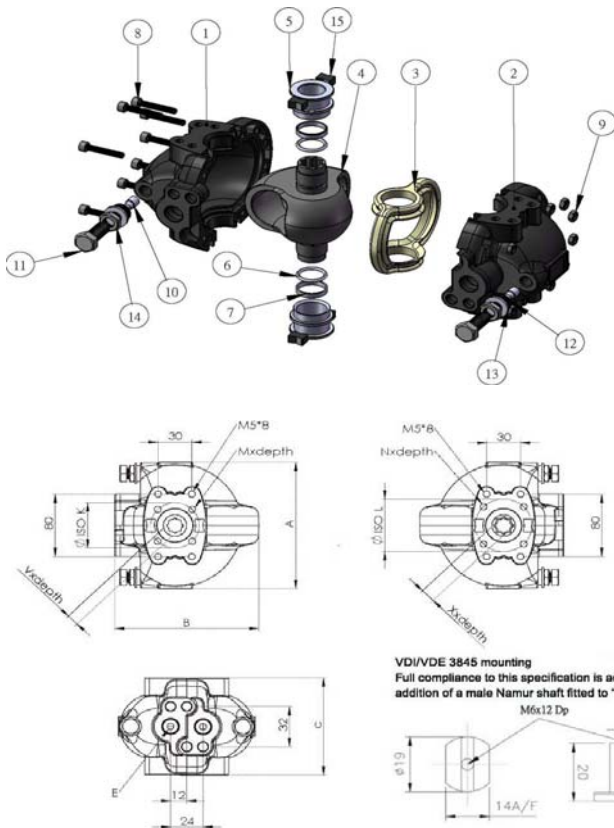


VDA100 - **VDA100** Double Acting
Description Vane Type Actuator Double Acting
Torque @ 80 psi Double Acting **7.8Nm**



Rotation 90Deg +/- 5 Deg **Supply :** 3 - 8 BAR
Weight 0.76Kg
Mounting PAD M5x8 @ 36/42mm PCD
Shaft 11x38.5 mm female ISO star
Part Number



Material Spec :

No.	Description	Standard	Chemical
1,2	Case half	Aluminum	Glass reinforced polyamide/ A2-70 Stainless steel inserts
3	Tri-Seal	Polyurethane	Ditto
4	Integral vane w/pinion	Aluminum/S45C	Ditto
5	Supporting Bushing	Medium carbon steel	Ditto
6	O-ring for output pinion	Buna N	Ditto
7	Shaft bearing	copper	Ditto
8	Body half bolt	MS nickel plated st	Stainless Steel A2-70
9	Body half nut	MS nickel plated st	Stainless Steel A2-70
10	Buffer washer	POM	Ditto
11	Stop bolting	MS nickel plated st	Stainless Steel
12	O-ring for stop bolting	Buna N	Ditto
13	Washer	MS nickel plated st	Ditto
14	Nut	MS nickel plated st	Ditto
15	Body connect parts	Aluminum	Glass reinforced polyamide

Model	A	B	C	E	ISO K	M x depth	V x depth	ISO L	N x depth	X x depth
VDA100	101.00	106.00	78.00	1/8"	36/F03	M5 x 8	9 x 38.5	42/F04	M5 x 8	11 x 38.5

ORDERING SYSTEM

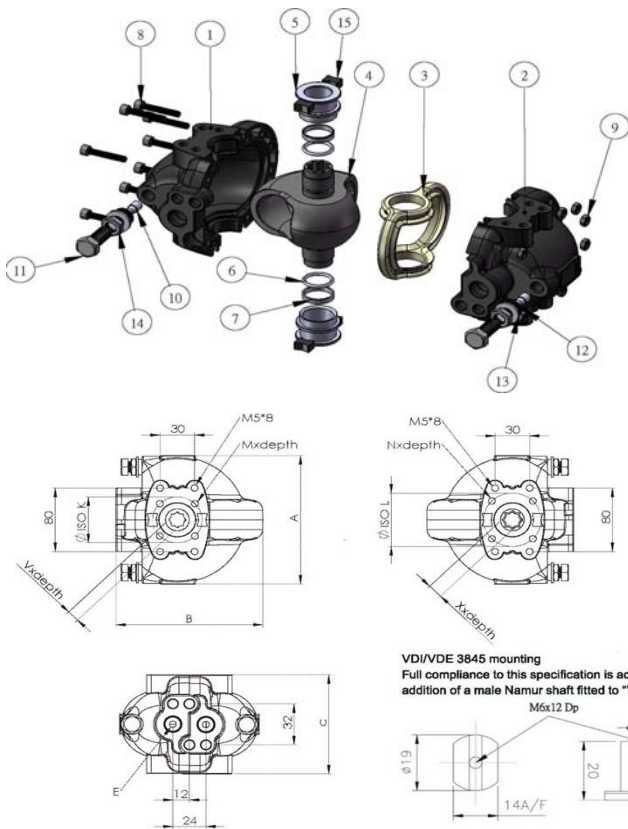
Model	100		100	D	VS2	000
Action	D	Double Acting				
Solenoid		VS2 (Double)	See torque chart for proper selection			
Opt	000	Open / closed indicator cap (STD)	See Accessories Page for complete codes			

Special Notes :
 * Puretorq reserves the right to change the above information without notice
 * The Customer is responsible for correct sizing and spring selection



VDA200 - **VDA200** Double Acting
Description Vane Type Actuator Double Acting
Torque @ 80 psi Double Acting **19.1Nm**

Rotation 90Deg +/- 5 Deg **Supply :** 3 - 8 BAR
Weight 1.12Kg
Mounting PAD M5x8 @ 36/42mm PCD
Shaft 11x38.5 mm female ISO star
Part Number



Material Spec :

No.	Description	Standard	Chemical
1,2	Case half	Aluminum	Glass reinforced polyamide/ A2-70 Stainless steel inserts
3	Tri-Seal	Polyeurathane	Ditto
4	Integral vane w/pinion	Aluminum/S45C	Ditto
5	Supporting Bushing	Medium carbon steel	Ditto
6	O-ring for output pinion	Buna N	Ditto
7	Shaft bearing	copper	Ditto
8	Body half bolt	MS nickel plated st	Stainless Steel A2-70
9	Body half nut	MS nickel plated st	Stainless Steel A2-70
10	Buffer washer	POM	Ditto
11	Stop bolting	MS nickel plated st	Stainless Steel
12	O-ring for stop bolting	Buna N	Ditto
13	Washer	MS nickel plated st	Ditto
14	Nut	MS nickel plated st	Ditto
15	Body connect parts	Aluminum	Glass reinforced polyamide

Model	A	B	C	E	ISO K	M x depth	V x depth	ISO L	N x depth	X x depth
VDA200	127.50	126.50	79.50	1/4"	36/F03	M5 x 8	9 x 38.5	42/F04	M5 x 8	11 x 38.5

ORDERING SYSTEM

Model	200		200	D	VS2	000
Action	D	Double Acting				
Solenoid		VS2 (Double)	See torque chart for proper selection			
Opt	000	Open / closed indicator cap (STD)	See Accessories Page for complete codes			

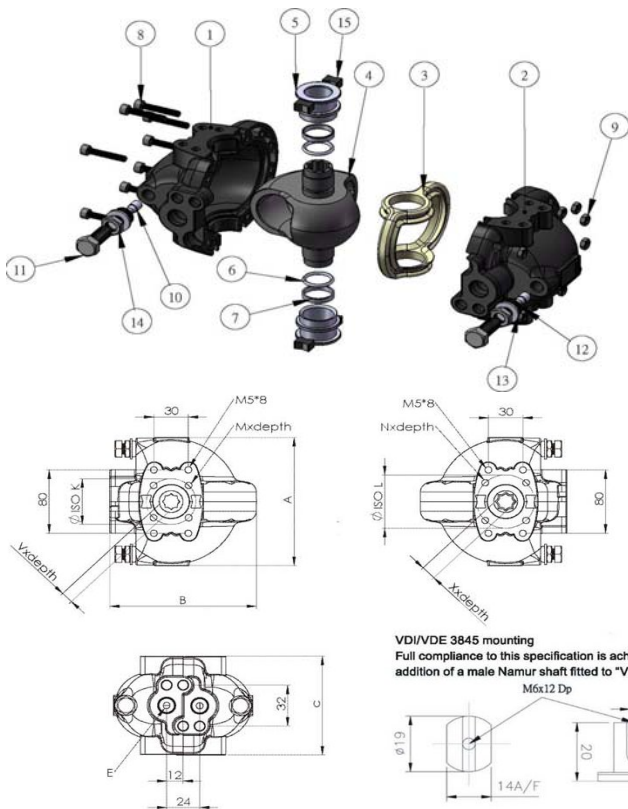
Special Notes :

- * Puretorq reserves the wright to change the above information without notice
- * The Customer is responsible for correct sizing and spring selection

VDA300 - **VDA300** Double Acting
Description Vane Type Actuator Double Acting
Torque @ 80 psi Double Acting **30.5Nm**



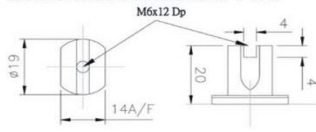
Rotation 90Deg +/- 5 Deg **Supply :** 3 - 8 BAR
Weight 1.76Kg
Mounting PAD M5x8 @ 42/50mm PCD
Shaft 14x54.2 mm female ISO star
Part Number



Material Spec :

No.	Description	Standard	Chemical
1,2	Case half	Aluminum	Glass reinforced polyamide/ A2-70 Stainless steel inserts
3	Tri-Seal	Polyurethane	Ditto
4	Integral vane w/pinion	Aluminum/S45C	Ditto
5	Supporting Bushing	Medium carbon steel	Ditto
6	O-ring for output pinion	Buna N	Ditto
7	Shaft bearing	copper	Ditto
8	Body half bolt	MS nickel plated st	Stainless Steel A2-70
9	Body half nut	MS nickel plated st	Stainless Steel A2-70
10	Buffer washer	POM	Ditto
11	Stop bolting	MS nickel plated st	Stainless Steel
12	O-ring for stop bolting	Buna N	Ditto
13	Washer	MS nickel plated st	Ditto
14	Nut	MS nickel plated st	Ditto
15	Body connect parts	Aluminum	Glass reinforced polyamide

VDI/VDE 3845 mounting
 Full compliance to this specification is achieved with addition of a male Namur shaft fitted to "V" or "X"



Model	A	B	C	E	ISO K	M x depth	V x depth	ISO L	N x depth	X x depth
VDA300	144.60	144.20	110.00	1/4"	42/F04	M5 x 8	11 x 54.2	50/F05	M6 x 9	14 x 54.2

ORDERING SYSTEM

Model	300		300	D	VS2	000
Action	D	Double Acting				
Solenoid		VS2 (Double)	See torque chart for proper selection			
Opt	000	Open / closed indicator cap (STD)	See Accessories Page for complete codes			

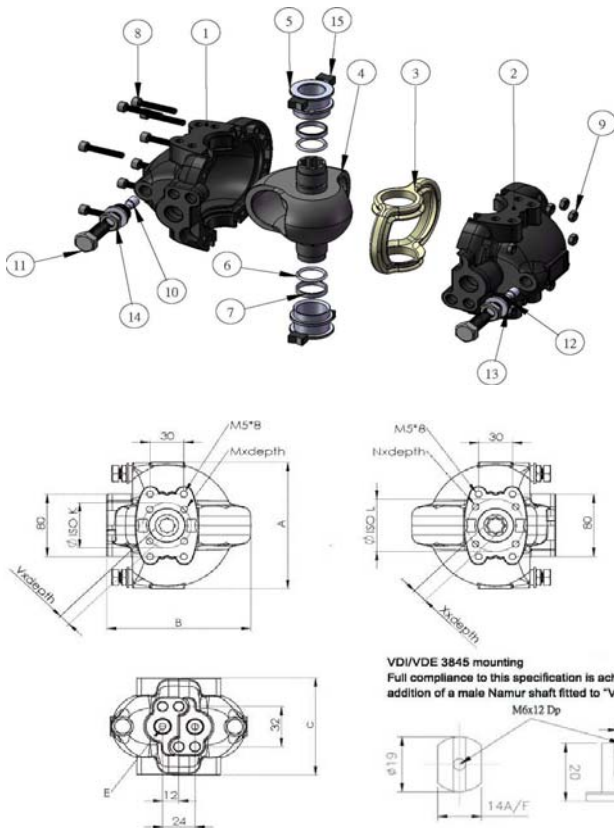
Special Notes :

- * Puretorq reserves the right to change the above information without notice
- * The Customer is responsible for correct sizing and spring selection

VDA500 - **VDA500** Double Acting
Description Vane Type Actuator Double Acting
Torque @ 80 psi Double Acting **65.3Nm**



Rotation 90Deg +/- 5 Deg **Supply :** 3 - 8 BAR
Weight 3.03Kg
Mounting PAD M6x9 @ 50/70mm PCD
Shaft 17x65.25 mm female ISO star
Part Number



Material Spec :

No.	Description	Standard	Chemical
1,2	Case half	Aluminum	Glass reinforced polyamide/ A2-70 Stainless steel inserts
3	Tri-Seal	Polyurethane	Ditto
4	Integral vane w/pinion	Aluminum/S45C	Ditto
5	Supporting Bushing	Medium carbon steel	Ditto
6	O-ring for output pinion	Buna N	Ditto
7	Shaft bearing	copper	Ditto
8	Body half bolt	MS nickel plated st	Stainless Steel A2-70
9	Body half nut	MS nickel plated st	Stainless Steel A2-70
10	Buffer washer	POM	Ditto
11	Stop bolting	MS nickel plated st	Stainless Steel
12	O-ring for stop bolting	Buna N	Ditto
13	Washer	MS nickel plated st	Ditto
14	Nut	MS nickel plated st	Ditto
15	Body connect parts	Aluminum	Glass reinforced polyamide

Model	A	B	C	E	ISO K	M x depth	V x depth	ISO L	N x depth	X x depth
VDA500	169.60	167.00	132.70	1/4"	50/F05	M6 x 9	14 x 65.25	70/F07	M8 x 12	17 x 65.25

ORDERING SYSTEM

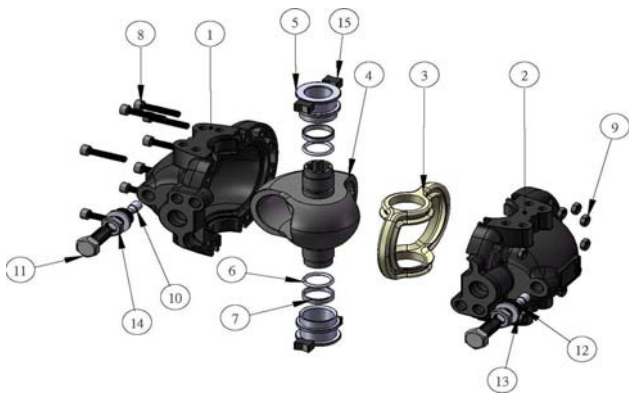
Model 500	500	D	VS2	000
Action D	Double Acting			
Solenoid	VS2 (Double)	See torque chart for proper selection		
Opt 000	Open / closed indicator cap (STD)	See Accessories Page for complete codes		

Special Notes :
 * Puretorq reserves the right to change the above information without notice
 * The Customer is responsible for correct sizing and spring selection



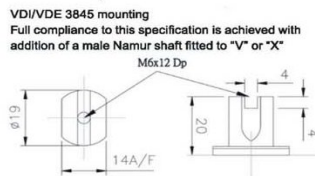
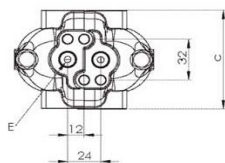
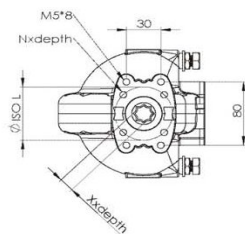
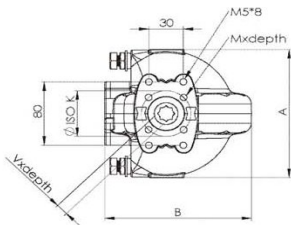
VDA1100 - **VDA1100** Double Acting
Description Vane Type Actuator Double Acting
Torque @ 80 psi Double Acting **141.8Nm**

Rotation 90Deg +/- 5 Deg **Supply :** 3 - 8 BAR
Weight 3.59Kg
Mounting PAD M6x9 @ 50/70mm PCD
Shaft 17x65.25 mm female ISO star
Part Number



Material Spec :

No.	Description	Standard	Chemical
1,2	Case half	Aluminum	Glass reinforced polyamide/ A2-70 Stainless steel inserts
3	Tri-Seal	Polyurethane	Ditto
4	Integral vane w/pinion	Aluminum/S45C	Ditto
5	Supporting Bushing	Medium carbon steel	Ditto
6	O-ring for output pinion	Buna N	Ditto
7	Shaft bearing	copper	Ditto
8	Body half bolt	MS nickel plated st	Stainless Steel A2-70
9	Body half nut	MS nickel plated st	Stainless Steel A2-70
10	Buffer washer	POM	Ditto
11	Stop bolting	MS nickel plated st	Stainless Steel
12	O-ring for stop bolting	Buna N	Ditto
13	Washer	MS nickel plated st	Ditto
14	Nut	MS nickel plated st	Ditto
15	Body connect parts	Aluminum	Glass reinforced polyamide



Model	A	B	C	E	ISO K	M x depth	V x depth	ISO L	N x depth	X x depth
VDA1100	219.90	191.60	132.70	1/4"	50/F05	M6 x 9	14 x 65.25	70/F07	M8 x 12	17 x 65.25

ORDERING SYSTEM

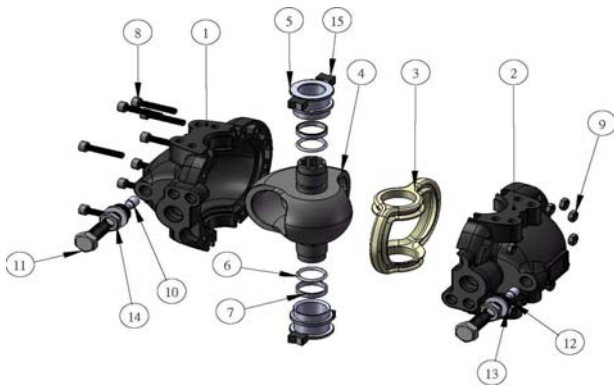
Model 1100 **1100 D VS2 000**
Action D Double Acting
Solenoid VS2 (Double) See torque chart for proper selection
Opt 000 Open / closed indicator cap (STD) See Accessories Page for complete codes

Special Notes :
 * Puretorq reserves the right to change the above information without notice
 * The Customer is responsible for correct sizing and spring selection

VDA2000 - **VDA2000** Double Acting
Description Vane Type Actuator Double Acting
Torque @ 80 psi Double Acting **251.5Nm**

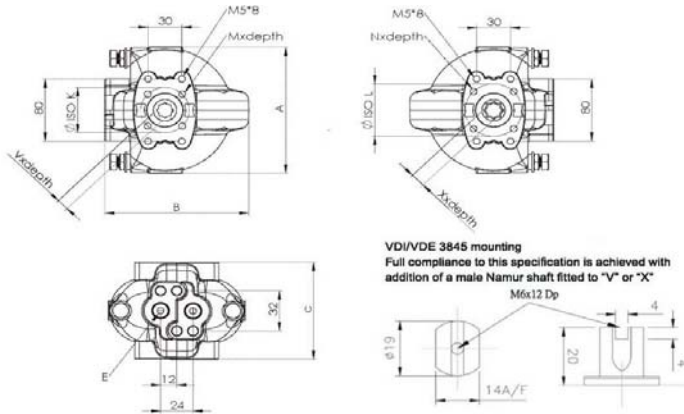


Rotation 90Deg +/- 5 Deg **Supply :** 3 - 8 BAR
Weight 6.55Kg
Mounting PAD M8x12 @ 70/102mm PCD
Shaft 22x69.75 mm female ISO star
Part Number



Material Spec :

No.	Description	Standard	Chemical
1,2	Case half	Aluminum	Glass reinforced polyamide/ A2-70 Stainless steel inserts
3	Tri-Seal	Polyurethane	Ditto
4	Integral vane w/pinion	Aluminum/S45C	Ditto
5	Supporting Bushing	Medium carbon steel	Ditto
6	O-ring for output pinion	Buna N	Ditto
7	Shaft bearing	copper	Ditto
8	Body half bolt	MS nickel plated st	Stainless Steel A2-70
9	Body half nut	MS nickel plated st	Stainless Steel A2-70
10	Buffer washer	POM	Ditto
11	Stop bolting	MS nickel plated st	Stainless Steel
12	O-ring for stop bolting	Buna N	Ditto
13	Washer	MS nickel plated st	Ditto
14	Nut	MS nickel plated st	Ditto
15	Body connect parts	Aluminum	Glass reinforced polyamide



Model	A	B	C	E	ISO K	M x depth	V x depth	ISO L	N x depth	X x depth
VDA2000	280.00	247.50	141.00	1/4"	70/F07	M8 x 12	17 x 69.75	102/F10	M10 x 15	22 x 69.75

ORDERING SYSTEM

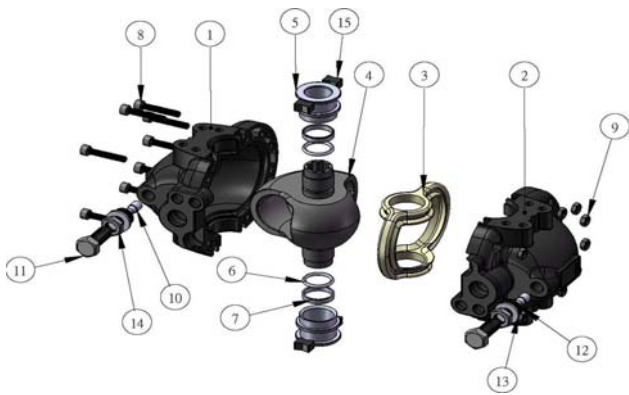
Model	2000	2000	D	VS2	000
Action	D	Double Acting			
Solenoid		VS2 (Double)	See torque chart for proper selection		
Opt	000	Open / closed indicator cap (STD)	See Accessories Page for complete codes		

Special Notes :
 * Puretorq reserves the right to change the above information without notice
 * The Customer is responsible for correct sizing and spring selection

VDA3800 - **VDA3800** Double Acting
Description Vane Type Actuator Double Acting
Torque @ 80 psi Double Acting **401.6Nm**

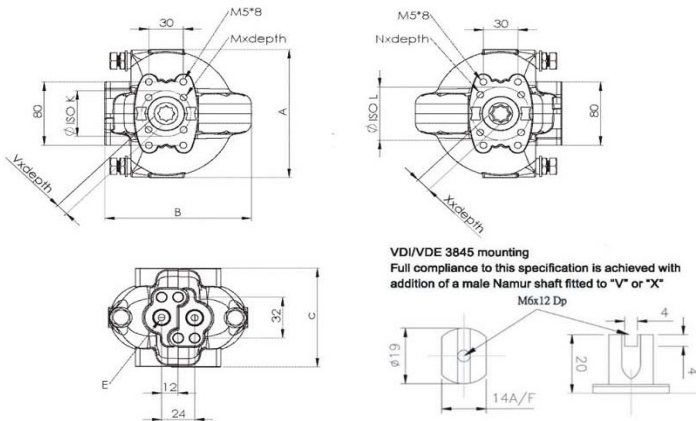


Rotation 90Deg +/- 5 Deg **Supply :** 3 - 8 BAR
Weight 12.23Kg
Mounting PAD M10x20 @ 102/125mm PCD
Shaft 27x36 mm female ISO star
Part Number



Material Spec :

No.	Description	Standard	Chemical
1,2	Case half	Aluminum	Glass reinforced polyamide/ A2-70 Stainless steel inserts
3	Tri-Seal	Polyurethane	Ditto
4	Integral vane w/pinion	Aluminum/S45C	Ditto
5	Supporting Bushing	Medium carbon steel	Ditto
6	O-ring for output pinion	Buna N	Ditto
7	Shaft bearing	copper	Ditto
8	Body half bolt	MS nickel plated st	Stainless Steel A2-70
9	Body half nut	MS nickel plated st	Stainless Steel A2-70
10	Buffer washer	POM	Ditto
11	Stop bolting	MS nickel plated st	Stainless Steel
12	O-ring for stop bolting	Buna N	Ditto
13	Washer	MS nickel plated st	Ditto
14	Nut	MS nickel plated st	Ditto
15	Body connect parts	Aluminum	Glass reinforced polyamide



Model	A	B	C	E	ISO K	M x depth	V x depth	ISO L	N x depth	X x depth
VDA3800	313.00	281.00	230.80	1/4"	102/F10	M10 x 20	22 x 36	125/F12	M10 x 20	27 x 36

ORDERING SYSTEM

Model	3800		3800	D	VS2	000
Action	D	Double Acting				
Solenoid		VS2 (Double)	See torque chart for proper selection			
Opt	000	Open / closed indicator cap (STD)	See Accessories Page for complete codes			

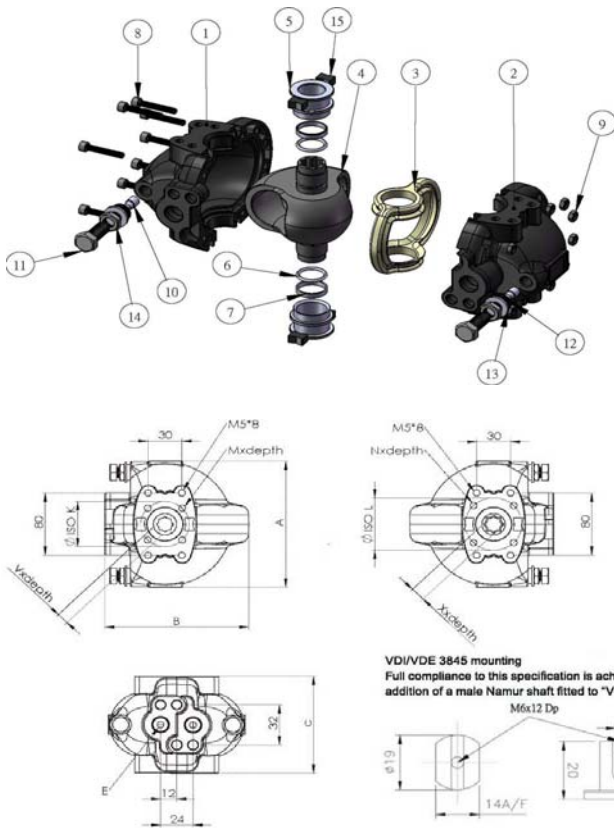
Special Notes :

- * Puretorq reserves the right to change the above information without notice
- * The Customer is responsible for correct sizing and spring selection

VDA6800 - **VDA6800** Double Acting
Description Vane Type Actuator Double Acting
Torque @ 80 psi Double Acting **621.8Nm**



Rotation 90Deg +/- 5 Deg **Supply :** 3 - 8 BAR
Weight 15.11Kg
Mounting PAD M10x20 @ 125/140mm PCD
Shaft 27x36 mm female ISO star
Part Number



Material Spec :

No.	Description	Standard	Chemical
1,2	Case half	Aluminum	Glass reinforced polyamide/ A2-70 Stainless steel inserts
3	Tri-Seal	Polyurethane	Ditto
4	Integral vane w/pinion	Aluminum/S45C	Ditto
5	Supporting Bushing	Medium carbon steel	Ditto
6	O-ring for output pinion	Buna N	Ditto
7	Shaft bearing	copper	Ditto
8	Body half bolt	MS nickel plated st	Stainless Steel A2-70
9	Body half nut	MS nickel plated st	Stainless Steel A2-70
10	Buffer washer	POM	Ditto
11	Stop bolting	MS nickel plated st	Stainless Steel
12	O-ring for stop bolting	Buna N	Ditto
13	Washer	MS nickel plated st	Ditto
14	Nut	MS nickel plated st	Ditto
15	Body connect parts	Aluminum	Glass reinforced polyamide

Model	A	B	C	E	ISO K	M x depth	V x depth	ISO L	N x depth	X x depth
VDA6800	364.00	306.00	234.80	1/4"	125/F12	M10 x 20	22 x 36	140/F14	M16 x 24	27 x 36

ORDERING SYSTEM

Model 6800	6800	D	VS2	000
Action D	Double Acting			
Solenoid VS2	VS2 (Double)	See torque chart for proper selection		
Opt 000	Open / closed indicator cap (STD)	See Accessories Page for complete codes		

Special Notes : * Puretorq reserves the right to change the above information without notice
 * The Customer is responsible for correct sizing and spring selection